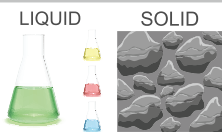
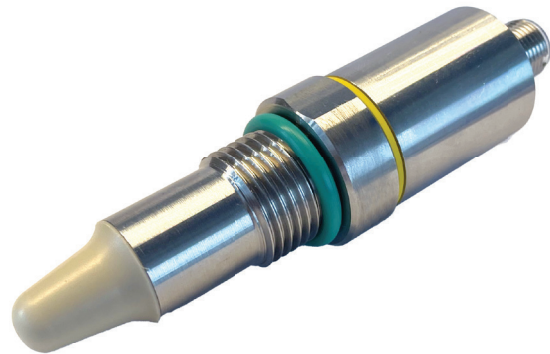


High Frequency Level Switch

LDLC



OVERVIEW

Operation

The LDLC series level switch is made of stainless steel, and the probe is made of hygienic material PEEK. This material has corrosion resistance, aging resistance and solubility resistance. The medium temperature of the standard type is between 40...115°C. The high temperature type can reach to 200°C, and the protection rating is IP68.

Application

- Especially suitable for sticky liquid, to avoid false alarm
- It is necessary to detect high viscosity liquid and powder media, or powder with high humidity
- Common sticky materials for example chocolate syrup, yogurt, medicinal powder

Features

- Longer length of probe is available
- Suitable for liquid, paste, small bulk and powder
- Smart learning function via the buttons without any software setting
- Point-to-Point level measurement with high and low point detection. It can be mounted horizontally or vertically
- Cost-effective and high reliability
- NO/NC Setting
- Learning mode

OPERATING DATA

Ambient Temperature	-40...+85°C
Storage Temperature	-40...+85°C
Medium Temperature	-40...+115°C (Standard) -40...+200°C (High temperature)
Operating Pressure	Max. 40 Bar
Process Connection	G 1/2" A
Connection	M12x1.0 socket
Enclosure	IP68
Response Time	<1s

ELECTRICAL DATA

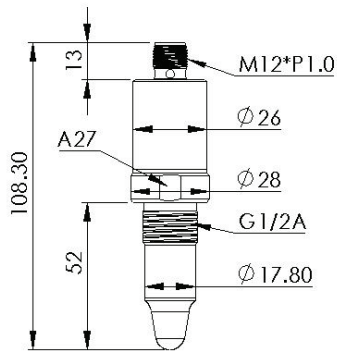
Power Supply	18...36 VDC
Output	PNP/NPN NO/NC
Relay Output	Load DC/AC 36V/1A
Power Consumption	PNP&NPN output <1W Relay output <2W

MATERIALS

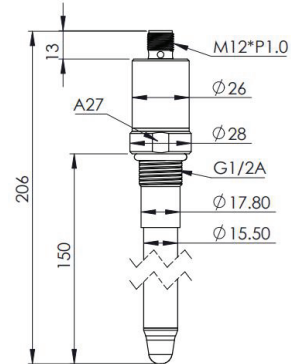
Housing	AISI 316L
Probe	PEEK

TECHNICAL DRAWINGS AND DIMENSIONS

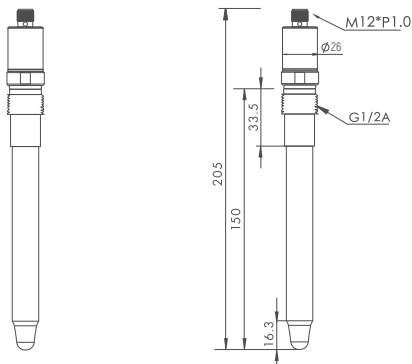
Standard:



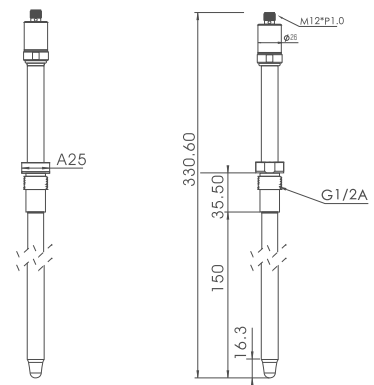
High temperature:



Standard
Extra length probe 150mm:

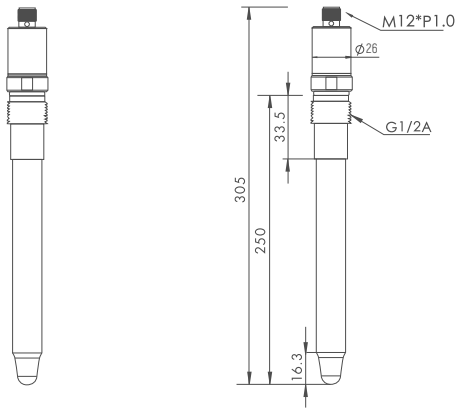


High temperature
Extra length probe 150mm:

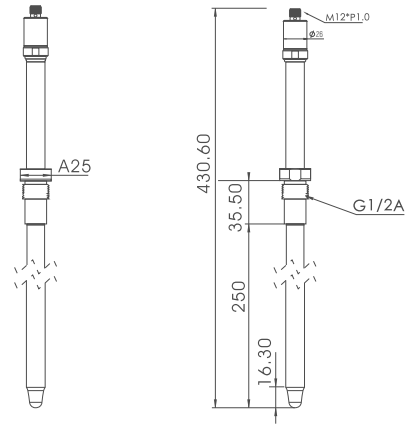


Unit: mm

Standard
Extra length probe 250mm:



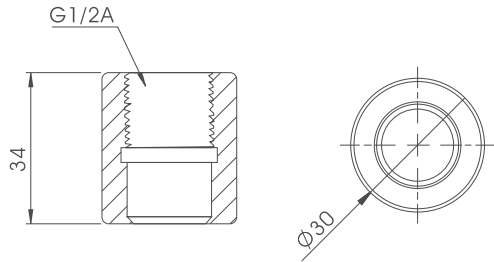
High temperature
Extra length probe 250mm:



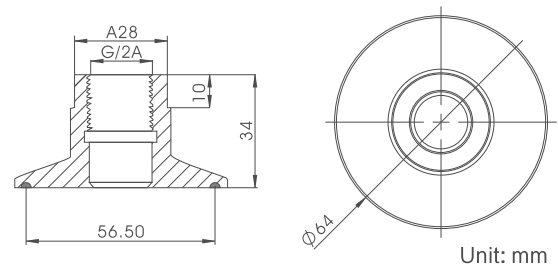
Unit: mm

Adapter Dimensions

Hygienic welding adapter US0069:

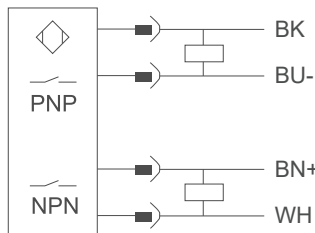
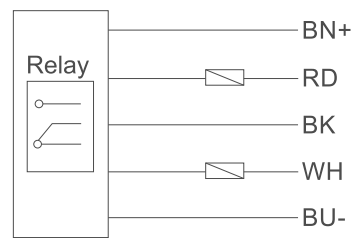
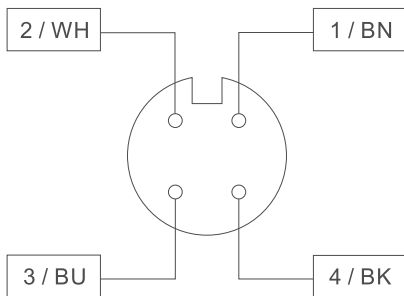


Hygienic Tri Clamp adapter US0070:

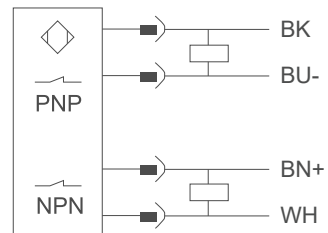


Unit: mm

WIRING



Red LED goes out



Red LED flashes

WH is ground wire for PNP/NPN output. ⊕

ORDERING

LDLC		High Frequency Level Switch
Temperature	S	Standard (-40...+115°C)
	H	High temperature (-40...+200°C)
Length	S	Standard
	150	Extra length 150 mm
	250	Extra length 250 mm